

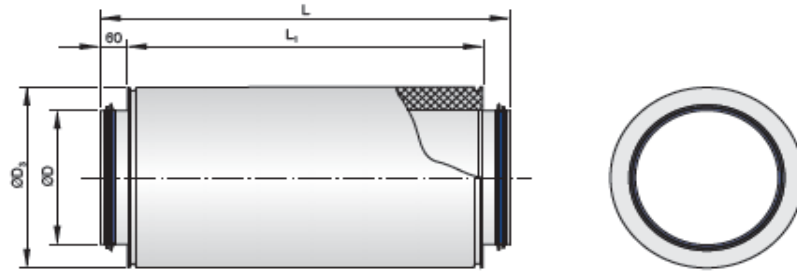


MODEL RCA

Project:
Tag:
Engineer:
Contractor:
Date:

Round Sound Attenuators - Circular silencers

RA-Construction with 50-100mm insulated

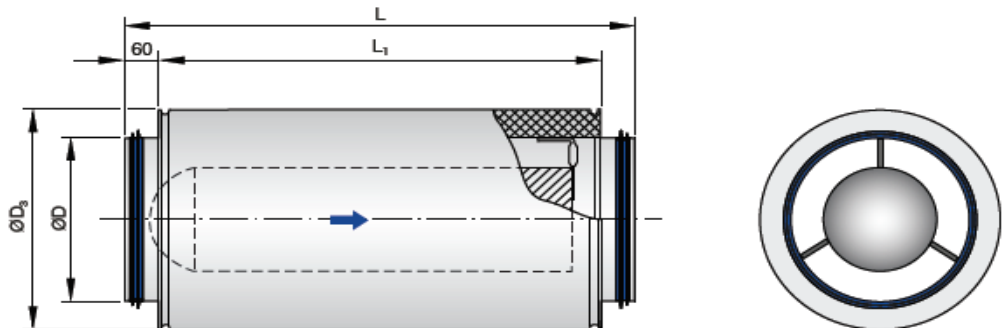


Nominal size	RA-50	RA-100	ØD
	mm	mm	
100	199	299	99
125	224	324	124
160	259	359	159
200	299	399	199
250	349	449	249
315	414	514	314
400	499	599	399
450		648	448
500		698	498
560		758	558
630		828	628
710		908	708
800		998	798

lengths

Nominal length	L	L ₁
	mm	mm
500	500	380
1000	1000	880
1500	1500	1380

RB-Construction with 50-100mm insulated



Nominal size	RB-50	RB-100	ØD
	mm	mm	
250	349	449	249
315	414	514	314
400	499	599	399
450		648	448
500		698	498
560		758	558
630		828	628
710		908	708
800		998	798
900		1098	898
1000		1198	998

As part of our continuous improvement program, we reserve the right to make further improvements without notice.

Date submitted: